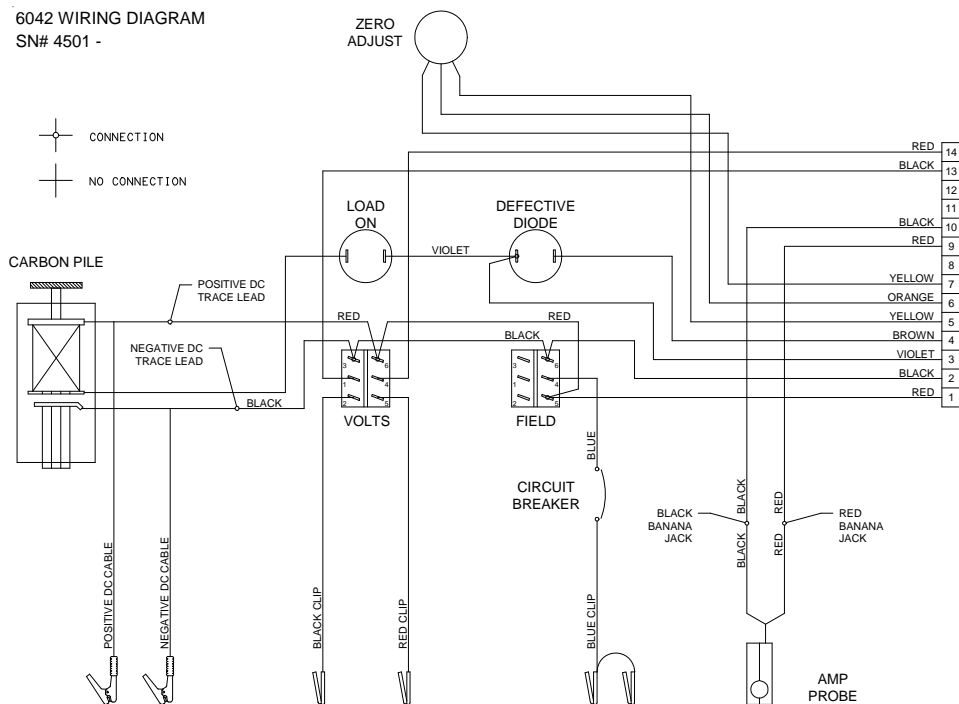


6042 REPAIR PARTS AND WIRING DIAGRAM

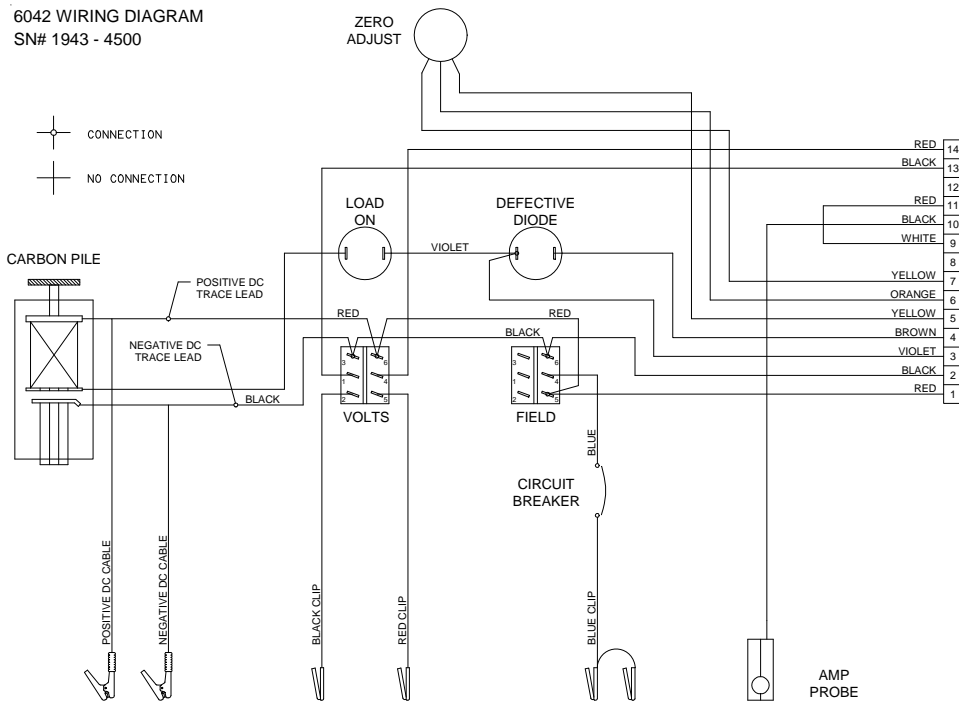
WIRING DIAGRAM SN# 4501-UP

6042 WIRING DIAGRAM
SN# 4501 -



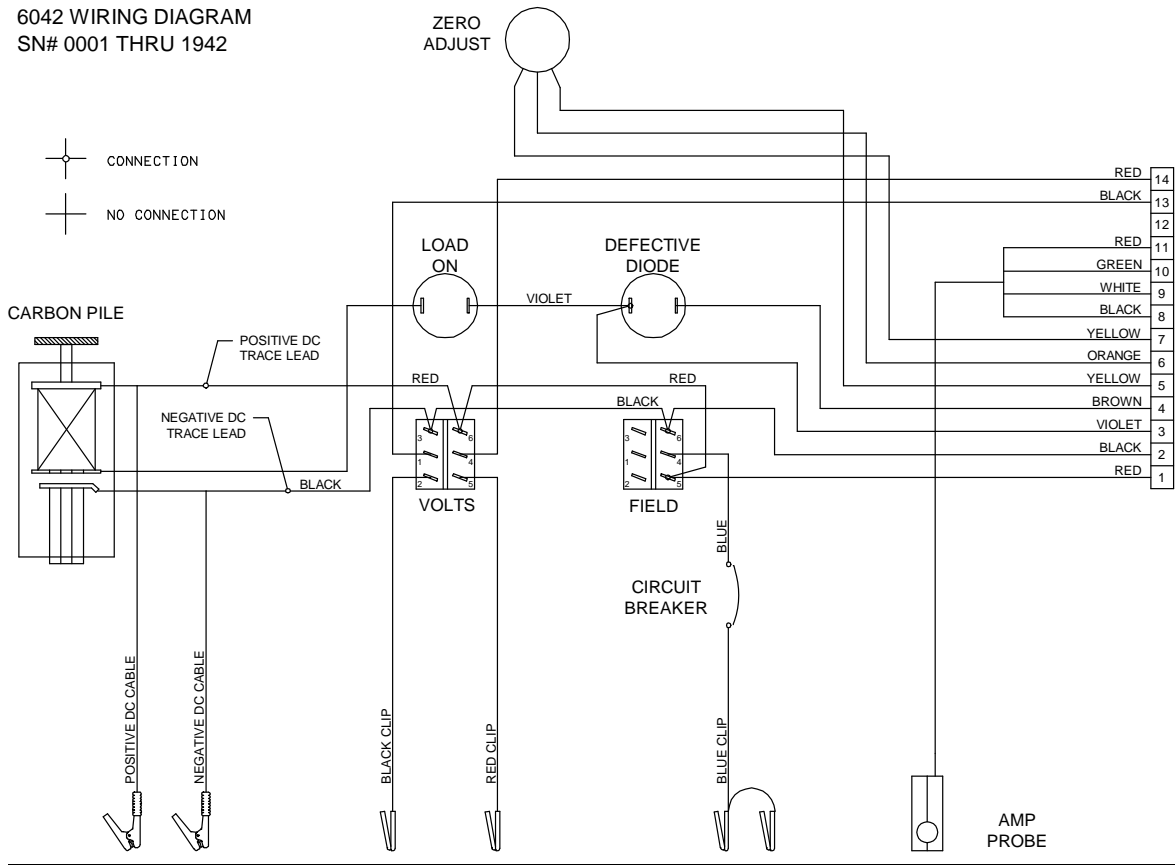
WIRING DIAGRAM SN# 1943-4500

6042 WIRING DIAGRAM
SN# 1943 - 4500



WIRING DIAGRAM SN# 0001-1942

6042 WIRING DIAGRAM
SN# 0001 THRU 1942



MODEL 6042 REPAIR PARTS LIST

Switch, DPDT (large) 610291
 Switch, Momentary DPDT (large) 610290
 Knob, Load..... 610809
 Knob, Fluted Switch-Zero Adjust 6042 610292
 Leads-ext, Voltage 6042 610298
 Wire-Field 6042..... 610299
 Carbon Pile-Stack 610302

Carbon Pile Assembly-Comp6042 610300
 Circuit Board, 6042 SN# 004501 UP..... 611156
 Unit must to be returned for retrofit (PCB W/Pickup)..... 610301
 DC Cable Set..... 610297
 Circuit Breaker 610296
 Kit, 6042 Filter and Spacer 610765
 Light-Indicator..... 610294